

e-BIKE **LIFTER**

INSTRUCTION MANUAL

MODEL:

BM-65 **BM-65-S**

ORIGINAL LANGUAGE:

ENGLISH

VERSION:

1.4

SERIAL NR.



by,schulz © 2024 Reprints, translation and reproduction of any kind, even in part, are expressly prohibited without prior written permission. Subject to technical changes, errors and misprints. Illustrations used may differ slightly from the original product. by,schulz GmbH, Saarbrücken/Germany - info@byschulz.com

www.e-bikelifter.com

UK

Table of contents

1 Introduction:	3
2 Hazard symbols	4
3 Specifications	5
4 General safety precautions during use	6
5 Exception of liability	6
6 Residual risks	7
7 Operating the e-Bikelifter	8
7.1 Power ON / OFF switch	8
7.2 Control: Raising and lowering	9
7.3 Soft start	9
7.4 Attaching and detaching a bicycle (VAR PR-72000 clamping arm)	10
7.5 Moving the e-Bikelifter	11
7.6 Safety areas and distance	12
7.7 Shipping	12
8 Construction and materials	13
9 Rechargeable batteries and chargers	14
10 Maintenance and Inspection	15
11 Disposal	15
12 Cleaning instructions	16
13 Resolving faults	17
14 Spare parts	18
14.1 e-Bikelifter BM-65 - Complete	18
14.2 e-Bikelifter BM-65-S - Complete	19
14.3 e-Bikelifter BM-65 - Mast	20
14.4 e-Bikelifter BM-65-S - Mast	21
14.5 e-Bikelifter - Base mounting plate	22
14.6 e-Bikelifter - base plate	23
15 e-Bikelifter - Electrical chart	24
16 Service / Annual inspection	27

1 Introduction:

Thank you for choosing the by,schulz e-Bikelifter, a high-quality product developed and produced in Europe. The e-Bikelifter is the result of the successful cooperation between the Danish company Hovmand and the German company by,schulz. Production takes place at Hovmand, the world's leading manufacturer of mobile, battery-powered lifting devices. The e-Bikelifter brand is distributed throughout Europe by:

by,schulz GmbH, Bühler Straße 121, 66130 Saarbrücken, Germany, Tel: +49 (0) 681-95 97 25 0

This collaboration resulted in a solid mobile lifting device of workshop quality, which was especially developed for bicycles, e-bikes and cargobikes. With its integrated transport wheels and the two built-in, powerful rechargeable batteries, the by,schulz e-Bikelifter offers the flexibility and endurance to work wherever you want.

The e-Bikelifter can be operated independently of the power grid at any time, without much effort. The maximum lifting capacity is 65 kg, the overall height is roughly 1950mm or 1750mm. With a width of about 780 mm, it even fits through almost any door.

Please read these instructions carefully before using the e-Bikelifter for the first time. If you have any further questions, please contact info@ebikelifter.com. Furthermore, you can find all the information contained in this manual in German / English / French, as well as pictures and videos of the product, at www.e-bikelifter.com.

The e-Bikelifter is available with or without a clamping arm. The basic version, the e-Bikelifter BM-65 does not include a clamping arm. The universal base mounting plate, permanently installed on the e-bikelifter, allows the use of many different commercially available clamping arms of the brands Feedback Sports, Park-Tool, VAR and others.

Models:

BM-65 (Version with 1950mm height)

1. e-Bikelifter BM-65 (Basic) without clamping arm - (Serial No. 12670)
2. e-Bikelifter BM-65 FB with Feedback Sports clamping arm - (Serial No.12670-FB)
3. e-Bikelifter BM-65 VA with VAR PR-72000 clamping arm - (Serial No. 12670-VA)

BM-65-S (Version with 1750mm height)

1. e-Bikelifter BM-65-S (Basic) without clamping arm - (Serial No. 12670-175)
2. e-Bikelifter BM-65-S FB with Feedback Sports clamping arm - (Serial No.12670-175-FB)
3. e-Bikelifter BM-65-S VA with VAR PR-72000 clamping arm - (Serial No. 12670-175-VA)

2 Hazard symbols

The following hazard symbols may be used in the manual and / or on the lift.



Warning!

This pictogram draws attention to the risk of personal injury.



Warning!

This pictogram draws attention to the risk of personal injury.

- There is a risk of getting your fingers crushed.



Warning!

This pictogram draws attention to the risk of personal injury.

- The e-Bikelifter must not be used for lifting persons.



Warning!

This pictogram draws attention to the risk of personal injury.

- There should be no body parts below or near the lifting tool when operated up or down.



Max 65 kg

Max payload is 65 kg

3 Specifications

	by,schulz e-Bikelifter BM-65
Weight (kg) incl. mounting base plate	60
Height (mm)	ca. 1950
Lifting height (mm)	ca. 1800
Max load (kg), 400 mm from the mast	65
Lifting speed	100-125 mm/s
Protection class	IP41
Rechargeable batteries	24V, 8.5 Ah
Charger	100 - 240V 50/60Hz - 2,0 Amps
Charging time	4 hours (80%) 5 hours (100%)
Sound pressure level	≤ 70 dB(A)
Weight (kg) optional Feedback Sports clamp	ca. 3,4
Weight (kg) optional VAR PR-72000 clamp	ca. 2,7

	by,schulz e-Bikelifter BM-65-S
Weight (kg) incl. mounting base plate	59
Height (mm)	ca. 1750
Lifting height (mm)	ca. 1600
Max load (kg), 400 mm from the mast	65
Lifting speed	100-125 mm/s
Protection class	IP41
Rechargeable batteries	24V, 8.5 Ah
Charger	100 - 240V 50/60Hz - 2,0 Amps
Charging time	4 hours (80%) 5 hours (100%)
Sound pressure level	≤ 70 dB(A)
Weight (kg) optional Feedback Sports clamp	ca. 3,4
Weight (kg) optional VAR PR-72000 clamp	ca. 2,7

4 General safety precautions during use

The following guidelines must be observed and followed when using the e-Bikelifter, to prevent personal injury:



- Use the e-Bikelifter exclusively for its intended work on bicycles, cargo bikes and e-bikes!
- The user must read and understand these instructions or must have them explained to them before using the lifter.
- Only one person must operate the lift at a time.
- Only use the lift when operated on a hard and leveled surface during lifting.
- Make sure that the base mounting plate and the clamp are firmly attached to the sledge and no play occurs in their bolt connections.
- The e-Bikelifter is suitable for industrial or commercial purposes, as well as for demanding and professional service work by end users.
- Do not use the e-Bikelifter in explosive or flammable hazard environment.
- Operate and store in a clean, dry location with temperature from +5 °C to +40 °C.
- While not in use or storing, always ensure that the sledge is lowered to under 800 mm height. and is free of any items or cargo.
- The e-Bikelifter is to be serviced at least once a year or according to laws, regulations, directives, working conditions and experience. The service shall be performed by the manufacturer or a skilled technician. Please check your local requirements.



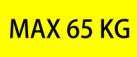
- The e-Bikelifter must not be used for lifting persons or live animals.



- No body parts near the sledge or tool at the mast or other lifting equipment when operated up/down.



- Secure that there is no person below the load, tool and lift when operated.



- Do NOT lift any loads higher than specified on the warning label!
- It is of most importance, due to personal safety, that the specified weight, load position, and height are respected and that the lift is not overloaded.

5 Exception of liability

- Hovmand cannot be held responsible for any modifications on the e-Bikelifter or attached equipment, not authorized by Hovmand.
- Do only use original spare parts, otherwise Hovmand cannot be held liable for the function and safety of the e-Bikelifter.
- The e-Bikelifter must only be serviced by a qualified technician, otherwise Hovmand cannot be held liable for the function and safety of the lifter.

6 Residual risks

There are residual risks for extraordinary wear, material or product failure due to great impact from collision, misuse, obstacle interference, blockade of driveways, etc.; e.g. a faulty wheel bearing, as a result of a heavy collision.



Residual risk for personnel working with or around the e-Bikelifter

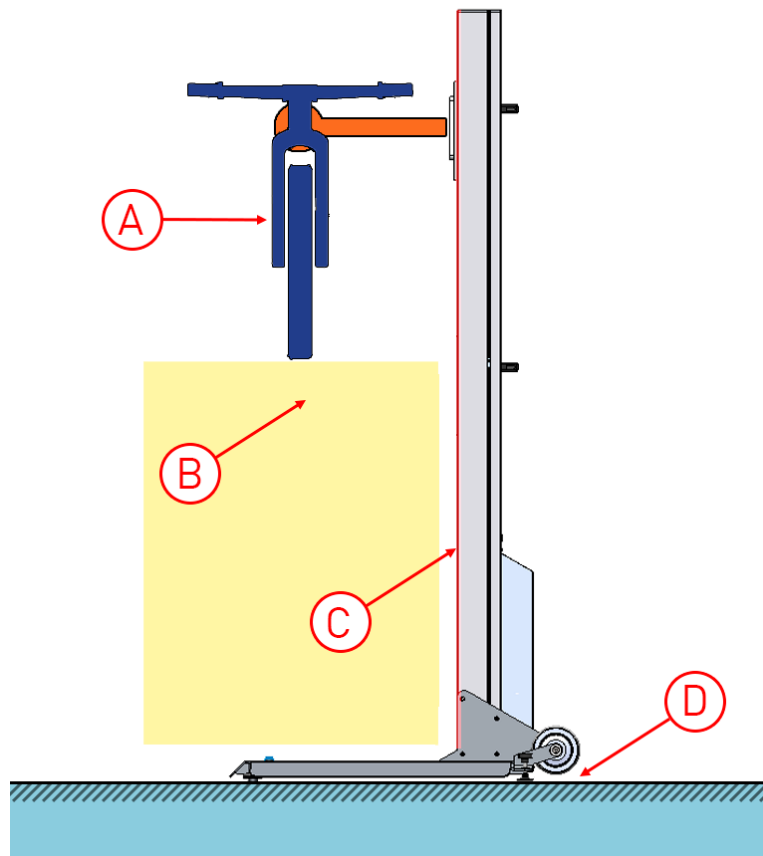
A: Do not use the e-Bikelifter or tool with unstable, unbalanced load.

B: No persons or body parts must be put under the tool or load.

C: Do not put objects or limbs (feet, hands, fingers etc.) into any opening of the e-Bikelifter

D: Do not put your feet or other parts of your body under the wheels!

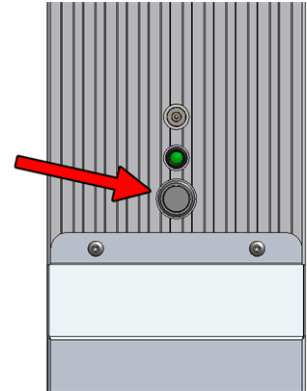
Example:
● Load
● Tool
● e-Bikelifter
● Ground



7 Operating the e-Bikelifter

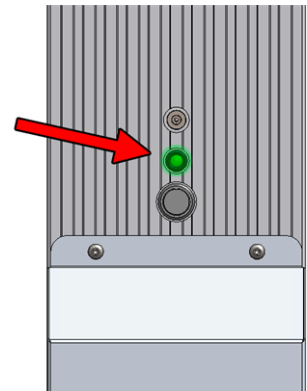
7.1 Power ON / OFF switch

Remember to turn OFF the e-Bikelifter when not in use!



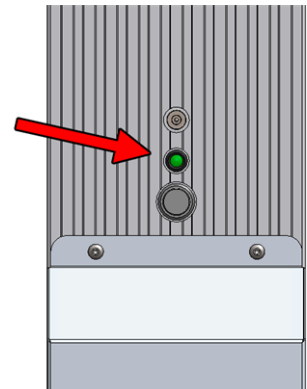
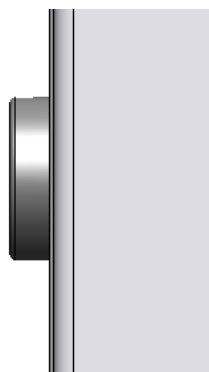
ON:

- Round button is pressed (it sticks out about 2 mm)
- Green indicator light



OFF:

- Round button is not pressed (it sticks out about 5 mm)
- No indicator light



7.2 Control: Raising and lowering

The two foot switches integrated in the base plate have a safety function, which is ensured by the three positions of the switches.

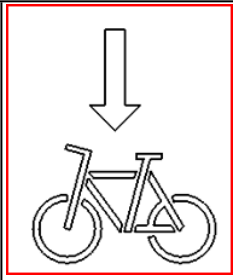
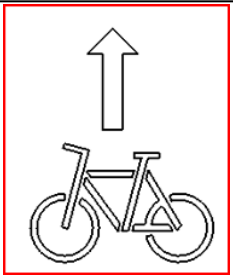
First position: While the foot switch is not pressed at all, it is in resting position. No function is triggered.

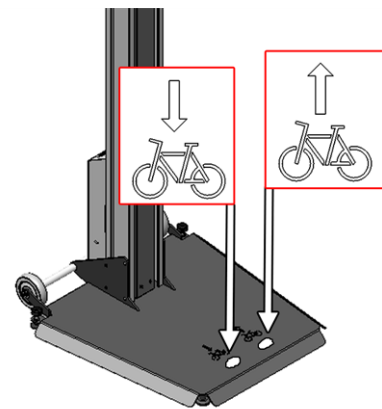
Second position: While the foot switch is pressed half way down, it is in working position. The sledge is lifting or lowering depending on the switch.

Third position: While the foot switch is pressed all the way down, it is in safety stop position. No function is triggered.

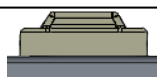
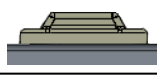

This function serves as a protection against accidental operation of the foot switches while working on a bicycle. The foot switches only react to gentle pressure (see Pos. 2 - working position). If no function occurs when the foot switch is pressed, check that the foot switch has not been pressed all the way down. If the problem persists, check that the device is switched on and that the batteries are charged. Only one foot switch can be operated at a time.

The function of the foot switches:

Pictogram:		
Position:	The left foot switch	The right foot switch
Function:	Lowering the tool	Raising the tool



Functionality of the foot switches

Positions:	Illustration foot switch:	Description:	Function:
1		Not pushed	NONE
2		Pushed half way	RAISING / LOWERING
3		Pushed all the way	NONE



Note:

- When the foot switch is released in position 3, it jumps back to the initial position 1. This will not trigger any function such as lifting or lowering.
- You can only activate one foot switch at the time.
- No obstacles must be on the base plate, when operating the e-Bikelifter.
- While lowering the load, an override slip clutch will engage, when the load touches the ground or an obstacle.

7.3 Soft start

The lifting device has soft start for easy handling.

7.4 Attaching and detaching a bicycle (VAR PR-72000 clamping arm)

The by,schulz e-Bikelifter BM-65 VA and the BM-65-S VA come with the PR-72000 clamping arm by VAR. This clamping arm can be swiveled 360°, and is suitable for clamping tubes with diameters from Ø 22 mm up to Ø 80 mm. The two replaceable rubber clamps with their double cable gap provide a secure grip, and protect components and paint from scratches. The VAR PR-72000 clamp is approved for loads up to 60 kg. More information about this clamping arm at

<https://www.vartools.uk/clamp-for-professional-repair-stands-c2x36007061>

The clamping device consists of two separate parts. The base mounting plate, which is fixed to the e-Bikelifter, and the interchangeable clamping arm.

Base mounting plate:

A: Pivot lock lever

B: Allen head screw M5 (Hex 4 mm)

Clamping arm:

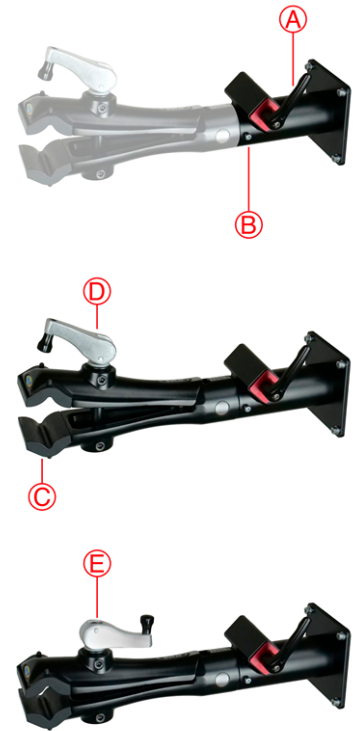
C: Rubber clamping jaws

D: Crank for clamping strength fine adjustment with eccentric base (OPEN)

E: Crank for clamping strength fine adjustment with eccentric base (CLOSED)

To quickly adjust the clamp to different tube-diameters, the crank has an eccentric base, which can enter two different conditions. In the „OPEN“ fig. [D] condition, the crank's knob points towards the clamp, and the clamping jaws are open. In the „CLOSED“ fig. [E] position it points away from the clamp, and the clamping jaws are tighter. By simply turning this crank, the width of the clamp jaw opening can be quickly opened or closed. Fine adjustment of the opening width, and the clamping force, is made with the crank. Turning the crank clockwise increases the clamping force, turning it counterclockwise reduces it.

Beware, that the eccentric has to be in the „CLOSED“ position fig. [E] while working on a bicycle!



Attaching the bicycle :

1: Place bicycle on the floor in front of the e-Bikelifter.

2: Adjust the sledge to the necessary height, by using the foot switches.

3: Use pivot lock lever fig. [A] of the base mounting plate to rotate the clamping arm and to adjust it to the clamping situation.

4: Use the crank fig. [E] to adjust the opening of the clamping arm approximately to the diameter of the tube to be clamped.

5: Turn over crank fig. [E] to the „OPEN“ position fig. [D], to widely open the clamping jaws.

6: Place the clamping area of the bicycle between the clamps fig. [C].

7: Flip the eccentric fig. [D] back to the "CLOSED" position fig. [E] and use the crank to fine-tune the clamping force. Turn clockwise to tighten the clamping.

Detaching the bike:

1: Lower the sledge by using the foot switch, until the wheels of the bicycle touch the ground.

2: First reduce the clamping force by turning the crank approx. four turns counterclockwise. Now open the clamping completely by folding the closed eccentric fig. [E] into the open state fig. [D].

3: Then remove the bicycle.



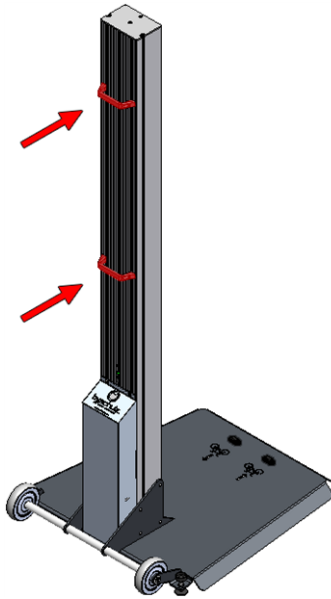
Note when attaching or detaching the bicycle:

- Ensure that the pivot lock lever fig. [A] of the base mounting plate is closed tight, and the clamping arm can't rotate.
- To prevent damage, only attach clamps to parts of the bicycle that are strong enough.
- A slip clutch is preventing damage in case the bike hits the ground while lowering.
- No obstacles must be on the base plate, when operating the e-Bikelifter.
- Mind your limbs while working with the e-Bikelifter.

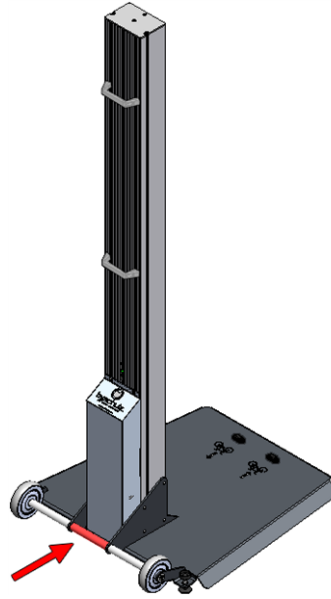
7.5 Moving the e-Bikelifter

Moving the e-Bikelifter:

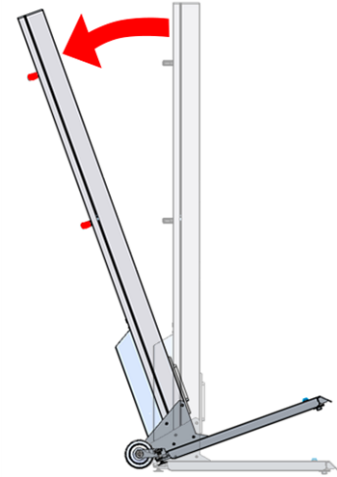
1: Place yourself behind the e-Bikelifter. Grab on to the two handles.



2: Place one foot against the wheel axle (between the wheels)



3: Pull back towards yourself, until the e-Bikelifter balances on its wheels. Steer it with the handles

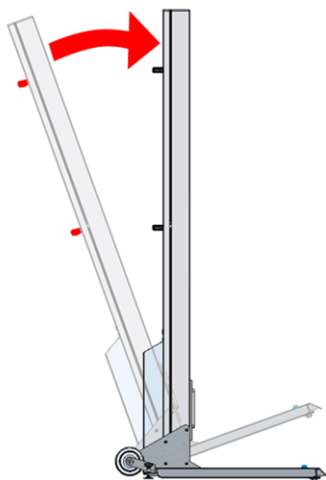


Note:

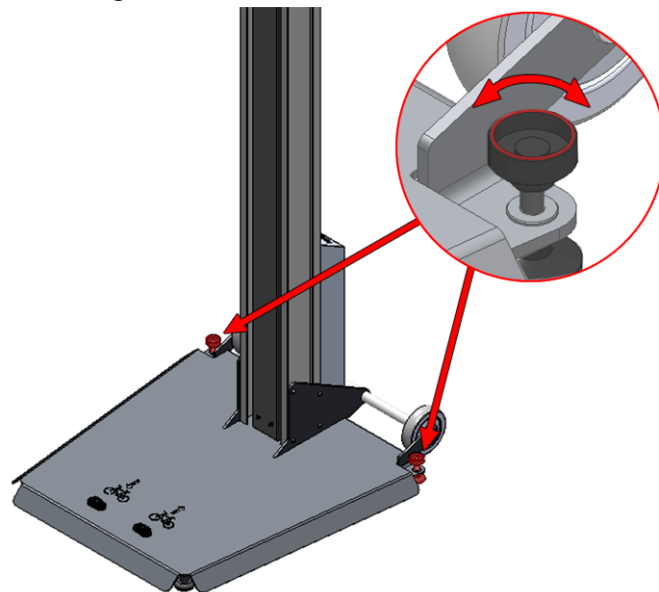
- The e-Bikelifter must be free of any object and cargo.
- The sledge should be lowered to under 800 mm.
- The e-Bikelifter must be turned OFF.
- Always hold on to the handles when moving the e-Bikelifter.

Parking the e-Bikelifter:

4: Place one foot against the wheel axle, and tilt the lifter forward until it reaches the ground.



5: Rotate the two knobs to adjust the height of the back feet. All four adjustable feet (2x front, 2x back) must be in contact with the floor before using the lifter.



Note:

- The e-Bikelifter must stand on a hard and leveled surface.
- No obstacles or objects must be below the base plate of the e-Bikelifter.
- The e-Bikelifter must stand firmly and must not swing, when stepping on the base plate

7.6 Safety areas and distance

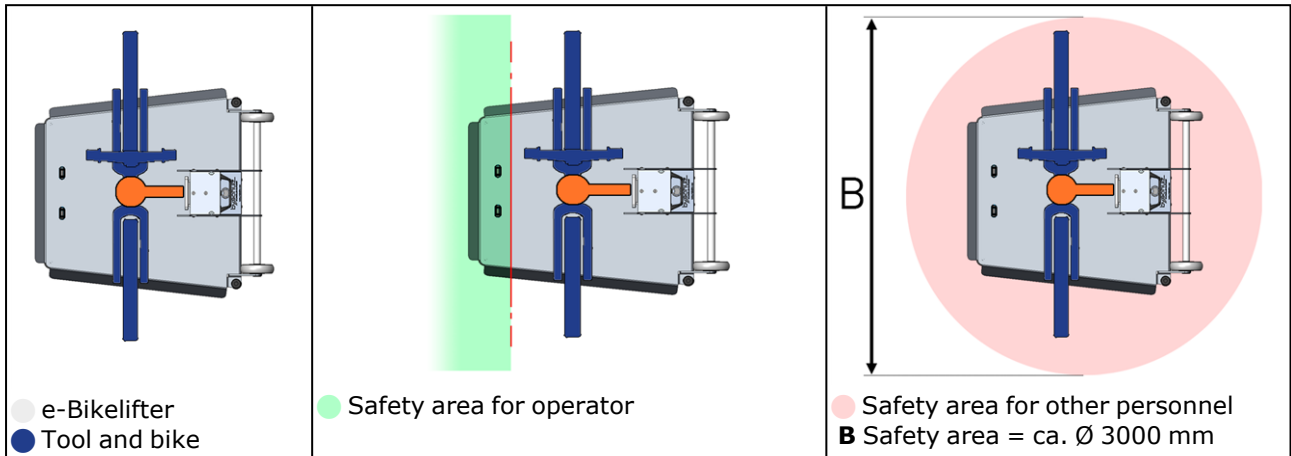


Safety when operating the e-Bikelifter

The operator must ensure that the tool is clear of obstacles before lifting, lowering or rotating. The operator must warn other personnel in proximity before lifting, lowering or using the tool.

When lifting or lowering the tool, the operator must:

- While operating, stand in the operator's safety zone as illustrated below (● A).
- ensure that all other personnel are out of the danger zone as illustrated below (● B).



7.7 Shipping



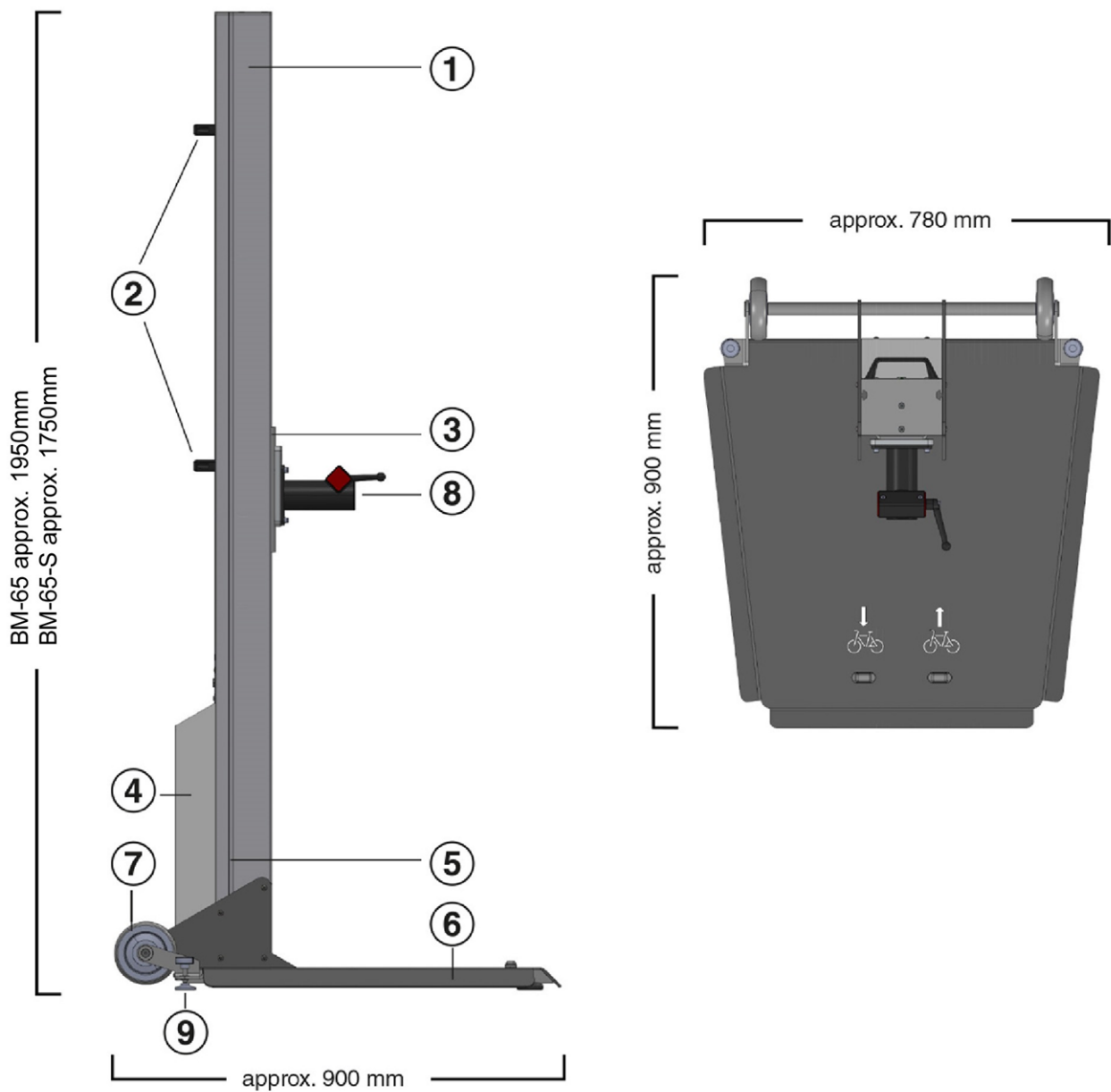
When shipping the e-Bikelifter:

- The sledge must be lowered to under 800 mm height and be free of any items or cargo.
- The e-Bikelifter must be turned off.
- Fasten the e-Bikelifter securely during transport.
- Thanks to the e-Bikelifter's lead-gel dry batteries, no battery acid can leak. This makes it possible to transport the e-Bikelifter even lying down!

8 Construction and materials

All materials are suitable for use in production, retail, service and distribution.

No	Part	Material
1	Mast	Aluminium profile, anodized.
2	Handle	Cast aluminum with a black plastic coating
3	Sledge	Electro-galvanized steel
4	Cover for control box	Powder-coated steel Painted
5	Sliding blocks in grooves	Galvanized steel
6	Base plate	Powder-coated steel
7	Transport rollers	Polyamide and Polyurethane
8	Base mounting plate	Powder-coated steel Painted
9	Adjusting feet	Stainless steel, synthetic material



The longitudinal grooves on both sides of the lifting column allow optional shelves and holders to be attached at the desired height with the aid of sliding blocks. For each groove, two sliding blocks with an M6 thread are included in the scope of delivery. You can find additional sliding blocks in our online stop at www.byschulz.shop

9 Rechargeable batteries and chargers

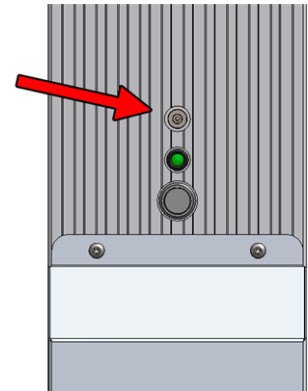
Batteries

The Valve Regulated Lead Acid (VRLA) batteries are non-spillable and sealed with pressure release vents. The batteries are housed in the control box and should not require maintenance other than the regular charging. Under normal operation conditions, materials sealed inside is not hazardous to people's health.

The batteries are charged with the external charger. Connect the charger to the charging port on the backside of the e-Bikelifter and to a 230V / 110V – 50-60 Hz power source. Although the device charges both when switched on and when switched off, the e-Bikelifter should not be used while charging!

The batteries should be charged regularly, as a total discharge can damage the batteries or reduce their lifetime. If a deep discharge does occur, charge the batteries for min. 4 hours before using the e-bike lifter again. Workshops are recommended to charge the e-Bikelifter on week-ends.

A full battery charge, allows approx. 80 cycles with complete lifting and lowering of the maximum load of 30 kg!



Charger

The charger automatically charges the batteries and switches off when the batteries are fully charged. Charging the batteries takes approx. 5 hours.

Charger indicator:

- Red indicator: The charger is connected to main power and charging.
- Green indicator: Float charging and ready for use.



Safety when charging

Use only original charger. Check that the wires are in good condition, connected properly before applying power. Make sure there are no dirt or water in the plug.

10 Maintenance and Inspection

All Hovmand products are designed for longevity and minimum maintenance, however regular safety checks and procedures are required.

Hovmand strongly recommends the following checks to be carried out on a daily basis and before using the e-Bikelifter. Ensure that the lift is functioning as intended. If in doubt, do not use.

- The e-Bikelifter must be free of dirt or debris which could affect safe operation
- Ensure all warning labels are present, without damage and are readable.
- Ensure no sign of wear, unusual noises or visual defects.
- Ensure bolts, nuts and rivets are tight.
- Ensure the e-Bikelifter moves freely on its transport wheels.
- Ensure control unit is in working order.

The yearly maintenance must be performed by a qualified technician.

The critical components listed below, must be replaced with the intervals stated, to make sure that the e-Bikelifter is in safe, operational condition.

Critical components:

For instructions on replacing critical components, contact the manufacturer, Hovmand Company, if necessary.

Timing belt

- Replace when / if any of the below points occur:
 - Any sign of wear, visual cracks, or miscolour.
 - Under normal use (Use < 20 lifts per day, in average over a year), replace after 8 years.
 - Under intensive use (Use > 20 lifts per day, in average over a year), replace after 4 years.

One way bearing

- Replace when / if any of the below points occur:
 - Any sign of wear, unusual noises or visual defects.
 - Under normal use (Use < 20 lifts per day in average over a year), replace after 8 years.
 - Under intensive use (Use > 20 lifts per day, in average over a year), replace after 4 years.






11 Disposal

When disposing the e-Bikelifter, make sure to sort the different materials by category, metal, electronic waste, batteries etc.. Make sure to follow the local environmental legislations, and hand over the materials to the local recycling station.

- Note: The batteries contain lead and must be disposed accordingly!



12 Cleaning instructions

Ingress protection marking (IP)			
Model-approved IP code:	IP 41	IP code description	
Solid particle protection	IP 4X	>1 mm	Most wires, slender screws, large ants etc.
Liquid ingress protection (with batteries)	IP X1	Dripping water	Dripping water (vertically falling drops) shall have no harmful effect on the specimen when mounted in an upright position onto a turntable and rotated at 1 RPM.
Special instructions/Precautions			
<ul style="list-style-type: none"> • Always wear the correct safety equipment while cleaning • Lower the lifting tool, so that you don't risk a head injury when cleaning near the floor. • The battery charger must be disconnected from the main during cleaning. 			
Detergent application			
	<ul style="list-style-type: none"> • Use a standard pH neutral cleaning detergent. 		<ul style="list-style-type: none"> • Do not use acid, alkaline or harsh chemical products, these might weaken the drive belt and other sensitive components or leave marks on the surfaces.
Work process			
	<ul style="list-style-type: none"> • The outer surfaces can be cleaned using a wet brush or a damp cloth. 		<ul style="list-style-type: none"> • Do not use liquids to clean the e-Bikelifter as this may have adverse effect on the electrical components.
Key inspection points			
	<ul style="list-style-type: none"> • Check the proper function of all components before the e-bike lifter is put back into operation after cleaning. 		

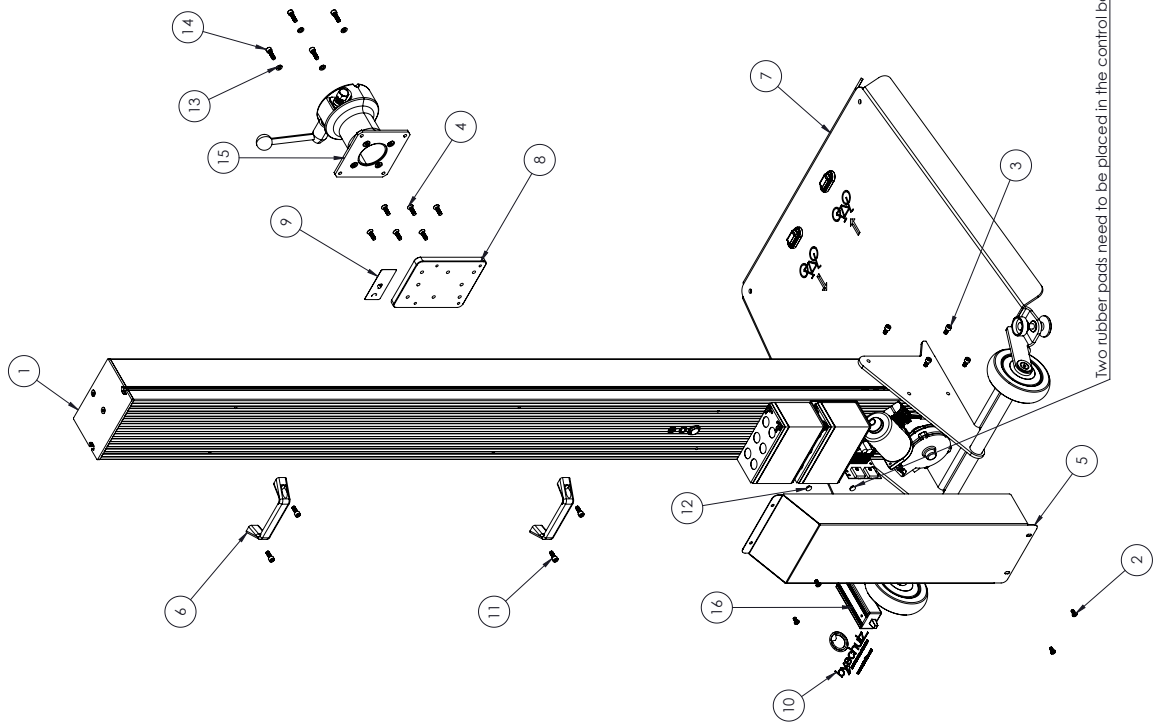
13 Resolving faults

Fault type	Check the following	Solve
The timing belt jumps on the belt wheel (the belt is making crackling noises)	Is the belt slack?	Tighten the belt using the screws at the top of the mast.
	Is the belt worn?	Replace the belt.
The belt is skewed (the belt squeaks)	Is the belt running skewed in the track on the top cam wheel?	Adjust the screw at the top of the mast, on the side to which the belt is skewed.
	Is the belt worn?	Replace the belt.
The sledge jerks	Is there dirt in the mast on which the sledge runs?	Remove the dirt and wipe with alcohol.
	Is there dirt on the sledge wheels?	Remove the dirt or replace the wheels.
The e-Bikelifter does not respond	Check whether the item being lifted is heavier than the lift's capacity	Remove the item.
	Check the main fuse or the on/off button	Replace the main fuse or press the button.
	Check if the batteries are charged	Connect the charger.
The lift works very slowly	Check the voltage of the batteries	Connect the charger.
	Check the charging frequency. Does the light quickly change to green when connected?	If the charger quickly changes to green, it could indicate that the batteries should be replaced or the fuse on the charger is broken or the main switch is off.

14 Spare parts

14.1 e-Bikelifter BM-65 - Complete

ITEM NO.	PART NUMBER	DESCRIPTION	Default/QTY.	Revision
1	30018225	Mast By.schulz E-Bikelifter	1	5
2	81010326	Tapfite M5x10 A2	4	3
3	81010435	Screw M6x12 CH FZB DIN 912	8	1
4	81010436	Screw M6x20 CS FZB DIN 7991	6	1
5	30018224	Cover box	1	5
6	30017664	Cabinet U-Handle - GN 728-120-B-SW	2	1
7	30018531	Base plate complete	1	4
8	30018533	Mounting plate adapter	1	1
9	30024214	Sticker - MAX 65 KG	1	1
10	30018600	By.schulz logo	1	1
11	81010118	Screw M6x16 CH FZB DIN 912	4	3
12	40004010	Gummifuß SJ5003 - M3 Bumpon	2	1
13	81030006	Washer M6 FZB DIN 125 A	4	3
14	81010119	Screw M6x20 CH FZB DIN 912	4	1
15	30021147	Base mounting plate by.schulz ver.2	1	1
16	84020070	Charger 230-24V 1,8A	1	1

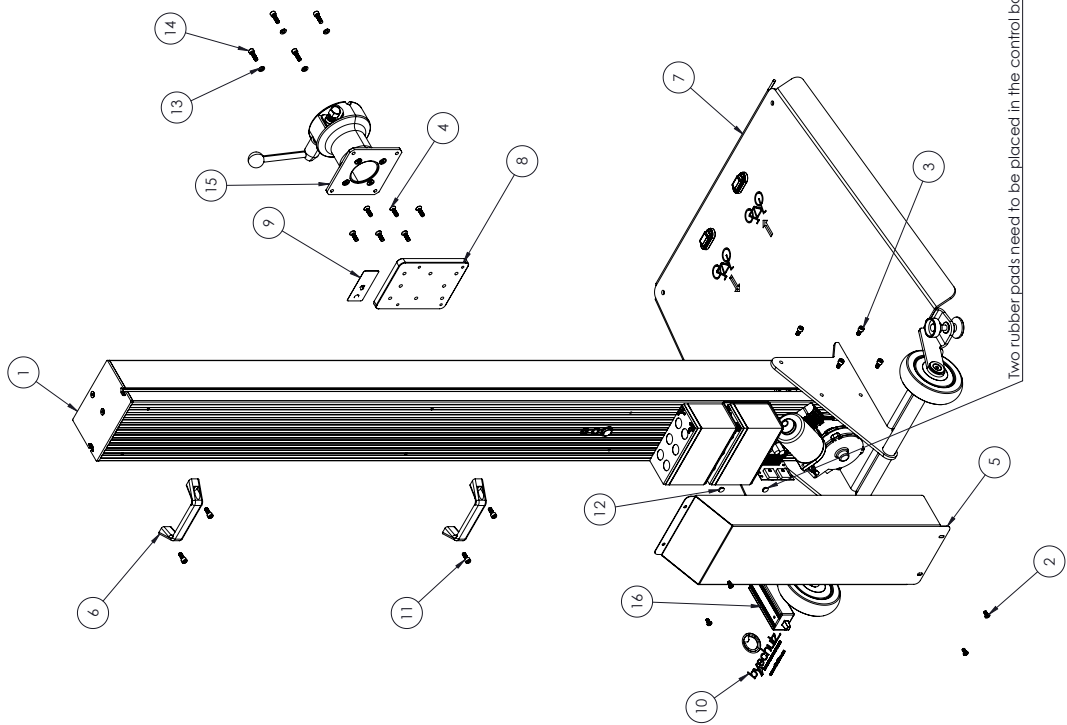


MAX. Payload: 65 Kg.

FINISH:	Dimensions: +/- 5 mm	HOVMAND
TITLE:	E-Bikelifter	
MATERIAL:	By.schulz	
WEIGHT: 62.36 Kg	DWG NO. 6101011333	Revision: 5
	DATE/YY.MM.DD: 21.11.01	SHR1302

14.2 e-Bikelifter BM-65-S - Complete

ITEM NO.	PART NUMBER	DESCRIPTION	Default/ QTY.	Revision
1	30020814	Mast Impact 200 1750 mm complete - special	1	2
2	81010326	Tapflite M5x10 A2	4	3
3	81010435	Screw M6x12 CH FZB DIN 912	8	1
4	81010436	Screw M6x20 CS FZB DIN 7991	6	1
5	30018224	Cover box	1	5
6	30017664	Cabinet U-Handle - GN728-120-B-SW	2	1
7	30018531	Base plate complete	1	4
8	30018533	Mounting plate adapter	1	1
9	30024214	Sticker - MAX 65 KG	1	1
10	30018600	By.schulz logo	1	1
11	81010118	Screw M6x16 CH FZB DIN 912	4	3
12	40004010	Gummidut S J5003 - M3 Bumpen	2	1
13	81030006	Washer M6 FZB DIN 125 A	4	3
14	81010119	Screw M6x20 CH FZB DIN 912	4	1
15	30021147	Base mounting plate by.schulz ver.2	1	1
16	84020070	Charger 230-24V 1,8A	1	1



MAX. Payload: 65 Kg.

FINISH:	Dimensions: +/- 5 mm	HOVMAND
TITLE:	E-bikelifter 1750 mm	
MATERIAL:	by.schulz	
WEIGHT: 60,63 Kg	DWG NO. 6101011427	Revision: 2
	DATE[yy.mm.dd]: 23.01.25	SHR13/22

14.3 e-Bikelifter BM-65 - Mast

ITEM NO.	PART NUMBER	DESCRIPTION	Default/QTY.	Revision
1	30018226	Mast profile - By.schulz	1	2
2	30018227	Top plate impact mast	1	2
3	40000719	Distanceplate motor-mast Impact 80	1	1
4	85020022	Motor 18V shaft shortened to L-16mm	1	3
5	30000478	Bearing housing motor shaft	1	3
6	30018230	Shaft Oneway bearing, By.Schulz	1	3
7	40000163	Timing belt Pulley AT10/16 - Complete	1	1
8	40000699	Spacer for motor shaft Impact 130	1	2
9	40000730	Distance spacer for pulley	1	3
10	40001894	Topwheel complete Impact 70-80-130	1	3
11	81030086	Spacer for topwheel	2	4
12	84010068	Battery 12V 9AH	2	3
13	30017198	Sledge By.schulz	1	1
14	30017649	Timing belt AT10-25x3770	1	1
15	40002866	Battery bracket	1	2
16	30017658	Support for coverplate Impact	1	1
17	84252097	Control Unit By.Schulz	1	5
18	30018228	Front coverplate By.schulz	1	2
19	81010125	Screw M6x60 CH FZB DIN 912	3	1
20	81190092	Ball bearing 6002 2RS	1	1
21	81190090	Ball bearing 6002 2RS	1	6
22	81010105	Screw M6x55 CS FZB DIN 7991	2	1
23	81020048	Lock nut M6 A2 DIN 985	2	1
24	81010231	Screw M6x55 CH A2 DIN 912	2	1
25	81010328	Tapflite 4x8 FZB DIN 7500	9	3
26	40002636	Screw M4x8 CS A2 DIN 7991	1	1
27	40004010	Rubber bumper SJS003 - M3 Bumpoon	4	1
28	40002234	Socket for cable tie 19x19	1	1
29	30017408	O-ring 55.00x3.00	4	1
30	30018799	Wago 862-504	1	1
31	81010453	Screw M3x14 CH A2 DIN 912	2	1
32	30010857	T-slot nut 8, heavy-duty M6 gevind, spring loaded Ball	4	1
33	81010292	Set screw DIN 916 - M6 x 10	2	1
34	30018534	By.schulz E-Bikelifter logo	1	1
35	81990040	Do not sit & Do not go under	1	1
36	81990032	Slicker Finger	1	1
37	81010315	Screw M4x10 BH A2 ISO 7380	1	1
38	89010116	Double sided tape black	2	1
39	84130020	Cable channel 12x12 white 670mm.	1	3
40	84130020	Cable channel 12x12 white 250mm.	2	3
41	81010400	Screw M3x20 CH FZB DIN 912	2	1
42	RD-E04210	Cable tie 200x2.5mm	2	1
43	81020004	Nut M6 FZB DIN 934	1	1
44	81010119	Screw M6x20 CH FZB DIN 912	1	1

FINISH: ALU
 MATERIAL: ALU
 WEIGHT: 38,13 KG
 DRAWING FILE: 30018225.DWG
 DRAWING SCALE: 1:1
 SHEET 2 OF 2

HOVMAND
 Mast By.schulz E-Bikelifter

30018225
 By.schulz
 Revision: 5

14.4 e-Bikelifter BM-65-S - Mast

ITEM NO.	PART NUMBER	DESCRIPTION	Default/QTY.	Revision
1	30020817	Column Impact 200 1750 mm - Special	1	1
2	30018227	Top plate impact mast	1	2
3	40000719	Distance plate motor-mast Impact 80	1	1
4	85020022	Motor 18V shaft shortened to L-16mm	1	3
5	30000478	Bearing housing motor shaft	1	3
6	30018230	Shaft Oneway bearing, By.Schulz	1	3
7	40000163	Timing Belt Pulley AT10/16 - Complete	1	1
8	40000699	Spacer for motor shaft Impact 130	1	2
9	40000730	Distancer spacer for pulley	1	3
10	40001894	Tapwheel complete Impact 70:80-130	1	3
11	81030086	Spacer for tapwheel	2	4
12	84010068	Battery 12V 9AH	2	3
13	30017198	Sledge By.schulz	1	1
14	30020812	Timing belt AT10-25x3370 - special	1	1
15	40002866	Battery bracket	1	2
16	30017658	Support for coverplate Impact	1	1
17	84252097	Control Unit By.Schulz	1	5
18	30020815	Coverplate Impact 200 1750 mm - special	1	2
19	81010125	Screw M6x60 CH FZB DIN 912	3	1
20	81190090	Ball bearing 6002 2RS	1	6
21	81010105	Screw M6x55 CS FZB DIN 7991	2	1
22	81020048	Lock nut M6 A2 DIN 985	2	1
23	81010231	Screw M6x55 CH A2 DIN 912	2	1
24	81010328	Taplite 4x8 FZB DIN 7500	9	3
25	40002836	Screw M4x8 CS A2 DIN 7991	1	1
26	40004010	Rubber bumper SJS003 - M3 Bumpson	4	1
27	40002234	Socket for cable tie 19x19	2	1
28	30017408	O-ring 55.00x3.00	4	1
29	30018799	Wago 862-504	1	1
30	81010453	Screw M3x14 CH A2 DIN 912	2	1
31	30010857	T-slot nut 8, heavy-duty M6 gevind, spring loaded ball	4	1
32	81010292	Set screw DIN 916 - M6 x 10	2	1
33	30018534	By.schulz E-Bikelifter logo	1	1
34	81990040	Do not sit & Do not go under	1	1
35	81990032	Sticker Finger	1	1
36	81010315	Screw M4x10 BH A2 ISO 7380	1	1
37	89010116	Double sided tape black	2	1
38	84130020	Cable channel 12x12 white 470mm	1	3
39	84130020	Cable channel 12x12 white 250mm	2	3
40	81010400	Screw M3x20 CH FZB DIN 912	2	1
41	RD-E04210	Cable tie 200x2.5mm	2	1
42	81020004	Nut M6 FZB DIN 934	1	1
43	81010119	Screw M6x20 CH FZB DIN 912	1	1
44	81190092	Ball bearing DIN 625 - 6905 2RS	1	1

TITLE: Mast Impact 200 1750 mm complete - special
 DRAWING: ALU
 DRAWN: by.shulz
 PART NO: 30020814
 SHEET 2 OF 2

14.6 e-Bikelifter - base plate

ITEM NO.	PART NUMBER	DESCRIPTION	Default/QTY.	Revision
1	30018212	Base plate welded	1	2
2	30017403	"levelling foot - GN 30-30-M10-40-A1-X"	2	1
3	30017227	IDEC enabling switch - Hebe-W2008	2	1
4	30017395	"knurled screw with movable thrust pad - BT.40-SST-P-M10x35-SV40"	2	1
5	81202125	Wheel ø125, shore 85	2	1
6	30018799	Wago 862-504	1	1
7	30018222	Wheel bushing	2	1
8	30018221	Wheel shaft	1	1
9	30018532	Wires for the base plate	1	1
10	30018220	Bottom lid	1	2
11	81010421	Screw M3x5 DIN 912	4	1
12	81010400	Screw M3x20 DIN 912	2	1
13	81010371	Screw M3x8 DIN 912	4	1
14	81010527	Screw M8x60 DIN 7991	2	1

UNLESS OTHERWISE SPECIFIED: DIMENSIONS ARE IN MILLIMETERS AND WITH TOLERANCES AFTER DR/ISO 27681 MITTEL	FINISH: DEBUR AND BEVEL SHARP EDGES	DO NOT SCALE DRAWING	Revision: 3
HOYMAND			
Title: Base plate complete			
By: Schulz			
MATERIAL:	DWG NO:	30018531	A3
WEIGHT: 30,39 Kg	DRAWN BY: KAS	30018531	15
	Date: 14.08.2012 12:22		SHEET 2 OF 2

HOVMAND

LIFTING & MOVING TECHNOLOGY

EC - DECLARATION OF CONFORMITY Machinery Directive 2006/42/EC Annex II A

Manufacturer and party responsible for compiling technical documentation:

Company name: Hovmand A/S
Address: Sandvadsvej 15
Postal code: DK-4600 Køge, Denmark
Phone number: + 45 57 83 33 00
www.hovmand.com

- hereby declare that the machine:

Designation: Mobile battery-powered lifter
Type identification number: e-Bikelifter
Serial number: _____

- is manufactured in accordance with the Machinery Directive 2006/42/EC Annex II A.

The following directives and standards as well as technical reports have been applied, insofar as they have been found to be wholly or partly relevant in relation to the construction and design of the machine:

Directives: 2014/30/EC
2014/35/EC
2011/65/EC

Standards: EN/ISO 12100: 2011
EN/ISO/TR 14121-2: 2012
EN 60204-1: 2016
EN/IEC 63000: 2018
EN/ISO 3691-5: 2015
DS/EN ISO 20607: 2019

Authorisation of HOVMAND A/S, to prepare technical documentation and communicate information about the device, in response to any sufficiently motivated request from state authorities:

Køge 01/01-2024



Søren Hovmand
Managing Director
Hovmand A/S

HOVMAND

LIFTING & MOVING TECHNOLOGY

DECLARATION OF CONFORMITY Supply of Machinery Safety Regulations 2008

Manufacturer and party responsible for compiling technical documentation:

Company name: Hovmand A/S
Address: Sandvadsvej 15
Postal code: DK-4600 Køge, Denmark
Phone number: + 45 57 83 33 00
www.hovmand.com

- hereby declare that the machine:

Designation: Mobile battery-powered lifter
Type identification number: e-Bikelifter
Serial number: _____

- is manufactured in accordance with the Supply of Machinery Safety Regulations 2008.

The following directives and standards as well as technical reports have been applied, insofar as they have been found to be wholly or partly relevant in relation to the construction and design of the machine:

Directives: Electromagnetic Compatibility Regulations 2016
Electrical Equipment Safety Regulations 2016
RoHS Regulations 2012:GB

Standards: BS/EN/ISO 12100: 2011
ISO/TR 14121-2: 2012
BS/EN 60204-1: 2016
BS/EN/IEC 63000: 2018
BS/EN/ISO 3691-5: 2015
BS/EN ISO 20607: 2019

Authorisation of HOVMAND A/S, to prepare technical documentation and communicate information about the device, in response to any sufficiently motivated request from state authorities:

Køge 01/01-2024



Søren Hovmand
Managing Director
Hovmand A/S

16 Service / Annual inspection

Date of inspection:

Controller:

Comments:

_____	_____	_____
_____	_____	_____
_____	_____	_____
_____	_____	_____
_____	_____	_____
_____	_____	_____
_____	_____	_____
_____	_____	_____
_____	_____	_____
_____	_____	_____
_____	_____	_____

CONTACT HOVMAND FOR SUPPORT AND SERVICE:

 **+45 57 83 33 00**

customerservice@hovmand.com