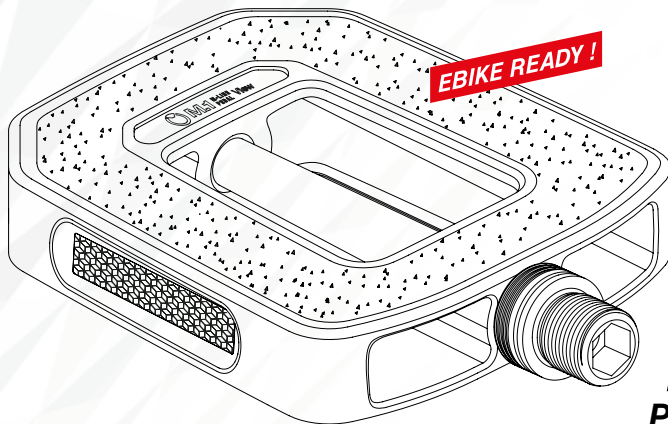


EN

 **byschulz**
INNOVATIVE BIKE COMPONENTS



M.1 View
Platform-pedal

AL
6061-T6

igus

 
MAX. 150

StVZO
APPROVAL

3M
GRIPTAPE


COLORS

INSTALLATION + OPERATING INSTRUCTIONS

INTRODUCTION

Thank you for choosing a by,schulz product. Please read these instructions carefully before assembly and use, and keep them in a safe place. If you have any further questions about this product, please contact your dealer.

We wish you a safe ride!

TABLE OF CONTENTS

	Page
1. Usage approval	02
2. Safety instructions	03
3. Scope of delivery	03
4. Function / Features	03
5. Installation requirements	04
6. Technical data	04-05
7. Components / Exploded view	04-05
8. Installation	04
8.1 Tools	04
8.2 Mounting the M.1 View Pedale	06-07
9. Maintenance / Care	07
10. Guarantee	07

1. USAGE APPROVAL

The pedals of the by,schulz M.1 series are designed for use with bikes, pedelecs, cargo bikes and e-bikes up to 45 km/h.

They are NOT suitable for extreme loads that occur during downhill, dual slalom or freeriding, or for riding profiles with jumps.

The by,schulz M.1 View pedals made of high-strength aluminum are tested according to the following DIN standards with increased test load, and approved for a rider weight of max. 150 kg.

<i>City Trekking</i>	<i>Ebike bis 25km/h Pedelec</i>	<i>Speed-Ebike bis 45km/h S-Pedelec</i>	<i>MTB Cross Country</i>	<i>Cargo Bikes</i>
DIN EN ISO 4210	DIN EN ISO 15194	DIN EN ISO 15194	DIN EN ISO 4210	DIN 79010
✓	✓	✓	✓	✓



TIGHTENING TORQUE:

This symbol refers to an important screw connection that must be tightened with an exact tightening torque. The correct tightening torque is either listed on the component itself or in these operating instructions. A torque wrench is required for execution! Screw connections that are not tightened correctly can loosen or break without warning. This can cause a fall or lead to damage and personal injury!



1. These instructions contain important information on the proper installation, use and care of the by,schulz M.1 View pedals. Read the instructions carefully and completely. It is important that you follow the listed warning and safety instructions. Failure to do so may result in damage and personal injury. The company by,schulz, and its sales partners are not liable for damages caused by incorrect installation, operation, maintenance or use!

2. Check the installation requirements before installation. If you do not have the appropriate expertise and / or tools, we strongly recommend installation by a dealer.

3. If the pedals are damaged after a fall, replace them to avoid any resulting accident risks.

Before the first ride:

We strongly recommend that you check your bike in general, and the operational safety of the M.1 View pedals in particular, before every ride.

Make sure that the pedals can rotate freely around the pedal axles without resistance.

3. SCOPE OF DELIVERY

- Right pedal
- Left pedal
- Instruction manual

4. FUNCTION / FEATURES


The M.1 View pedal is designed for bicycles, e-bikes and cargo bikes. The robust aluminum body of the M.1, with an overall height of only 19mm is much flatter than usual, but still compliant with StVZO (german traffic laws) due to new narrow reflectors.

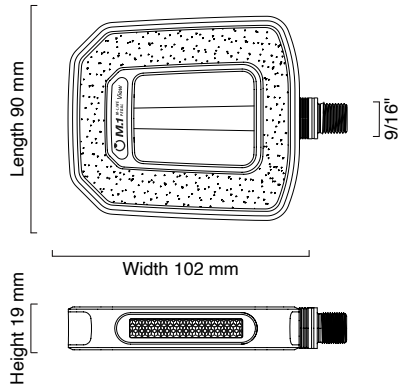
The large tread surface is covered with non-slip 3M Grip-tape, so that a safe standing is guaranteed during the ride. The solid and high-quality axles and bearings from the MTB range, also offer high reliability with low maintenance.

5. INSTALLATION REQUIREMENTS

The by,schulz M.1 View pedal, is equipped with a 9/16" thread. Make sure that the crank arms of your bike have the same thread.

6. TECHNICAL DATA

- **Pedal type** : Platform bicycle pedal
- **Pedal body** : Aluminium, AL-6061-T6
- **Large color selection** : 
- **Tread** : Griptape 3M, on both sides
- **Pedal axle** : 9/16 inch thread, chromoly steel
- **Pedal bearings** : industrial ball bearing, plain bearing
- **Weigh** : ca. 435 g / pair
- **Dimensions (W x H x D)** : ca. 102 x 90 x 19 mm
- **Rider weight** : max. 150 kg
- **StVZO compliant (German traffic laws)**



7. COMPONENTS

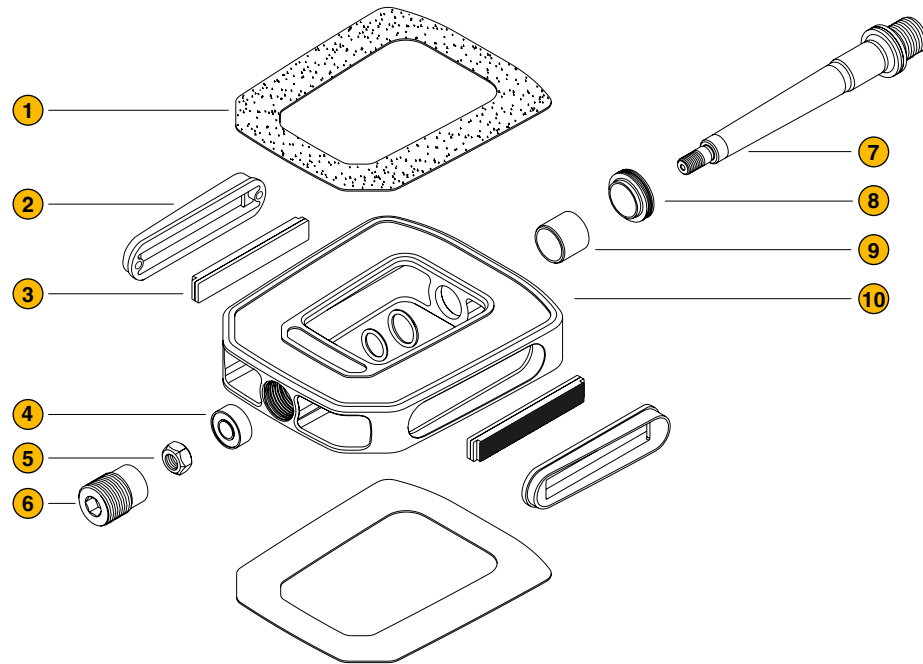
1. Griptape 3M (2x)
2. Reflector holder, rubber (2x)
3. Pedal reflector (2x)
4. Industrial ball bearing
5. Safety nut M6
6. Dust cap with external thread, aluminium, 6mm Allen key
7. MTB axle, chromoly-steel, 8mm Allen key
8. Bearing seal, rubber
9. Plain bearing bushing, metal coated
10. Pedal body, aluminium

8. INSTALLATION

8.1 TOOLS :

To install the by,schulz M.1 M-Line pedals you need the following tools and utilities:

- Torque wrench, min. 40 Nm setting range
- Allen bit 8 mm
- Bearing grease, or mounting paste



8.2 MOUNTING THE M.1 PEDALS :

For easy identification, the M.1 View pedals are marked with labels. The left pedal marked "L" is additionally marked with a ring groove on the pedal axle (see Fig. 8.1), and must be mounted on the left side of the bike in the riding direction.

Likewise, the one marked with "R" must be mounted on the right side. The sides must not be mounted the other way round, as this could damage the threads on the crank arms and pedals.

When screwing the pedal into the crank arm, make sure that it is not at an angle. If the pedals cannot be screwed in with little hand force, please contact a dealer!



Note : When screwing in pedals, the turning movement is in the direction of the front wheel, and the loosening in the direction of the rear wheel! Observe the specified torque of **25-30 Nm!**

1. Remove any pedals that may be installed. To loosen the pedals, screw in reverse to the direction of travel. If you have any difficulties, please contact the manufacturer or a dealer.

2. Clean the threads of the crank arms and apply some bearing grease or assembly paste to the threads of the pedals.

3. Screw the right pedal (marked "R") clockwise into the thread of the right crank arm using an 8 mm Allen key.

4. Z Tighten the screw from the back of the crank arm with a torque of approx. 25 - 30 Nm.

5. Repeat steps 2. to 4. on the left side of the bike with the left pedal marked "L". Screw counterclockwise here. Finally, check that the pedals are correctly mounted and rotate freely.



9. MAINTENANCE / CARE

After the first approx. 100 km of driving, the pedal axle must be retightened with approx. 25-30 Nm. Have this check performed and documented by a dealer annually thereafter, or after approx. 2000 km. The pedal axle, which is sealed on both sides, and the bearings are maintenance-free and do not require lubrication.

Keep the axles and bearings of the by,schulz M.1 View pedals free of dirt and mud. Clean them regularly. Tough dirt can usually be removed with warm water and commercially available dish soap. Do not use a steam cleaner or harsh cleaning agents such as acetone, trichloroethylene or methylene, as these cleaning agents attack the components, seals and bearings. Watch out for damage, deformation or other changes to the components of the M.1 View pedals. The product must not be disassembled or technically modified, otherwise there is a risk of injury! The wear and tear caused by normal use of the product, is excluded from the warranty!

Regular maintenance guarantees you a long driving pleasure and perfect functionality. If you do not have the necessary expertise, or have questions regarding operational safety, have this service performed by a dealer.

www.byschulz.com



by, schulz GmbH

Buehlerstraße 121
66130 Saarbruecken
GERMANY

Tel : +49(0)681-95 97 25 0
Fax : +49(0)681-95 97 25 20

info@byschulz.com
www.byschulz.com



**Montage-Anleitung
zum Downloaden:**

www.byschulz.com



**Montage-Videos
finden Sie unter:**

www.youtube.com

by,schulz © 2024

No reprints, translations or copies of any kind allowed without the prior written approval of by,schulz GmbH. Subject to technical alterations, errors and misprints excepted. Used photos can vary from the original product. by,schulz GmbH, Saarbruecken / Germany